

JSP – 60

HEAVY DUTY FOR SERVICE ENTRANCE APPLICATIONS



FEATURES AND BENEFITS

- Listed to UL 1449 3rd Edition for a Type 1 and Type 2 SPD application.
- Fail-safe design with individually fused Metal Oxide Varistors (MOVs) eliminating single point failure, protecting against both overcurrent and overvoltage events.
- 200kAIC short circuit rating permits direct bus connection to most electrical services.
- Low let through voltage ensured by the lowest possible impedance path to ground and equal current sharing during surge events.
- All weather sealed, powder-coated NEMA 4/IP65 housing is designed for any orientation and indoor/outdoor applications.
- 10-year standard warranty with optional 15-year extended warranty.

AVAILABLE CONFIGURATIONS

Model Number	Voltage	Configuration
JSP060-1P120	120V	1-Phase, 2-Wire + Ground
JSP060-1P240	240V	1-Phase, 2-Wire + Ground
JSP060-1S240	120/240V	2-Phase, 3-Wire + Ground
JSP060-3Y208	120/208V	3-Phase, 4-Wire + Ground
JSP060-3Y380	220/380V	3-Phase, 4-Wire + Ground
JSP060-3Y415	240/415V	3-Phase, 4-Wire + Ground
JSP060-3Y480	277/480V	3-Phase, 4-Wire + Ground
JSP060-3H240	120/240V	3-Phase, High-Leg, 4-Wire + Ground
JSP060-3D240	240 (Delta)	3-Phase, 3-Wire + Ground

Warranty

10-years (Optional 15-years)

Available Options

Advanced Monitoring	Add suffix -M (Includes Dry Relay Contacts, Audible Alarm, Alarm Silence Button, Fault Light)
Transient Filter	Add suffix -F (Meets UL 1283*)
Stainless Steel Enclosure	Add suffix -S

*Not recommended when using telecommunication rectifiers.

Stand Alone Option (To be ordered as a Seperate Item)

JSP-FMP	Flush-Mount Plate Kit
---------	-----------------------

EMI/RFI Filter Attenuation

Max. Attenuation Frequency	41dB @ 106kHz
----------------------------	---------------

PRODUCT SPECIFICATIONS

Electrical

Maximum Surge Current Rating	60kA per phase, 30kA per mode
Nominal Discharge Current Rating (I-n)	10kA
Operating Frequency	47–63Hz
Connection Method	Parallel to electrical distribution system
Modes of Protection	All Modes (L-N, L-G, N-G, L-L)
Fault Rating (SCCR)	200kAIC – no upstream over-current protection device (breaker or fuse) required
Response Time	Less than 1 nanosecond
Standard Monitoring	Status indicator lights (one per phase)

Mechanical

Weight	10 lbs. (4.5 kg)
Enclosure Type	Powder coated, impact-resistance steel, weather-proof NEMA 4
Installation Location	Indoor / Outdoor
Mounting Method	Dual mounting flanges
Operating Environment	-40° to +185°F (-40° to +70°C)
Altitude	Up to 13,000 ft. (4000 m)
Product Design	Parallel design with individually fused MOVs

Regulatory

UL 1449 3rd Edition Type	Type 1
UL 1283	Yes
IEEE C62.41.1, .2, C62.45	Yes
Listed By	ETL

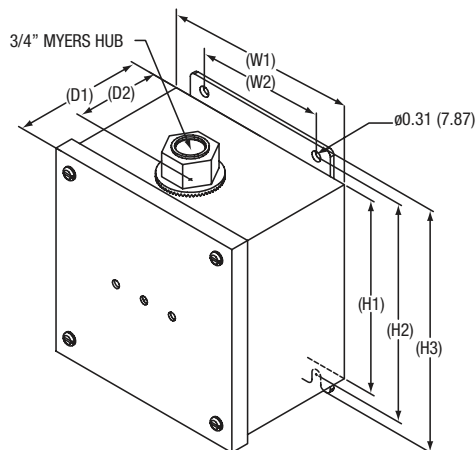
SURGE PROTECTIVE DEVICES

JSP 60 PERFORMANCE DATA

ANSI/IEEE C62.41.1-2002, C62.41.2-2002, & C62.45-2002 Measured Limiting Voltage

Model Number	Voltage Configuration	Protection Mode	MCOV	B3 Ring Wave	B3/C1 Combo	C3 Combo	UL 1449 3rd Edition
				6kV, 500A	Wave 6kV, 3kA	Wave 20kV, 10kA	6kV, 3kA VPR
JSP060-1P120	1P120	L-N	150V	202V	587V	1078V	600V
		L-G	150V	529V	564V	1157V	600V
		N-G	150V	548V	594V	1180V	600V
JSP060-1P240	1P240	L-N	320V	180V	1036V	1553V	1200V
		L-G	320V	855V	989V	1483V	1200V
		N-G	150V	840V	989V	1470V	1200V
JSP060-1S240	1S240	L-N	150V	202V	587V	1078V	600V
		L-G	150V	529V	564V	1157V	600V
		L-L	300V	290V	1029V	1667V	1000V
JSP060-3Y208	3Y208	N-G	150V	548V	594V	1180V	600V
		L-N	150V	202V	587V	1078V	600V
		L-G	150V	529V	564V	1157V	600V
JSP060-3Y380	3Y380	L-L	300V	290V	1029V	1667V	1000V
		N-G	150V	548V	594V	1180V	600V
		L-N	320V	180V	1036V	1553V	600V
JSP060-3Y380	3Y380	L-G	320V	855V	989V	1483V	600V
		L-L	600V	261V	1847V	2520V	1000V
		N-G	150V	840V	989V	1470V	600V
JSP060-3Y415	3Y415	L-N	320V	180V	1036V	1553V	1200V
		L-G	320V	855V	989V	1483V	1200V
		L-L	600V	261V	1847V	2520V	2000V
JSP060-3Y415	3Y415	N-G	150V	840V	989V	1470V	1200V
		L-N	320V	180V	1036V	1553V	1200V
		L-G	320V	855V	989V	1483V	1200V
JSP060-3Y480	3Y480	L-L	600V	261V	1847V	2520V	2000V
		N-G	150V	840V	989V	1470V	1200V
		L-N	150V	202V	587V	1078V	600V
JSP060-3Y480	3Y480	H-N	320V	180V	1036V	1553V	1200V
		L-G	150V	529V	564V	1157V	600V
		H-G	320V	855V	989V	1483V	1200V
JSP060-3H240	3H240	L-L	300V	290V	1029V	1667V	1000V
		H-L	470V	840V	1250V	1640V	1500V
		N-G	150V	548V	594V	1180V	600V
JSP060-3D240	3D240	L-G	320V	855V	989V	1553V	1200V
		L-L	300V	855V	989V	1553V	1000V

All JSP™ systems measured limited voltages are peak values (±10%) measured from the zero reference point and are in compliance with test and evaluation procedures outlined in NEMA LS1-1992 (2000), paragraphs 2.210 and 3.10.



DIMENSIONS

Dim	Inches (mm)
H1	6.00 (152.4)
H2	6.75 (171.5)
H3	7.50 (190.5)
W1	6.00 (152.4)
W2	4.00 (101.6)
D1	4.16 (105.7)
D2	2.00 (50.8)



Energía Verde RMS

Ahorra y contribuye con tu ambiente [®]

General Miguel Barragán #814
Aguascalientes, Ags.
01 (449) 145 2028
energiaverderms.com.mx